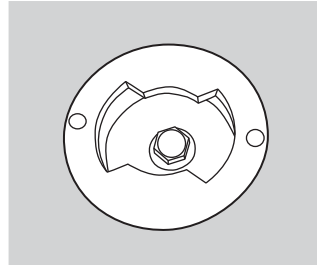
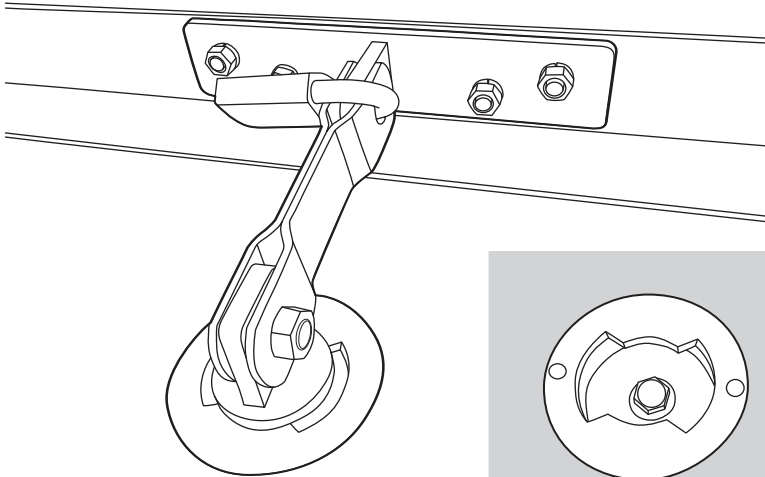
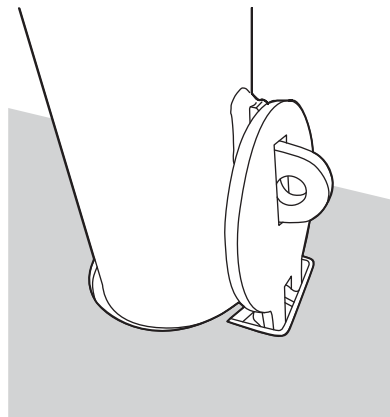
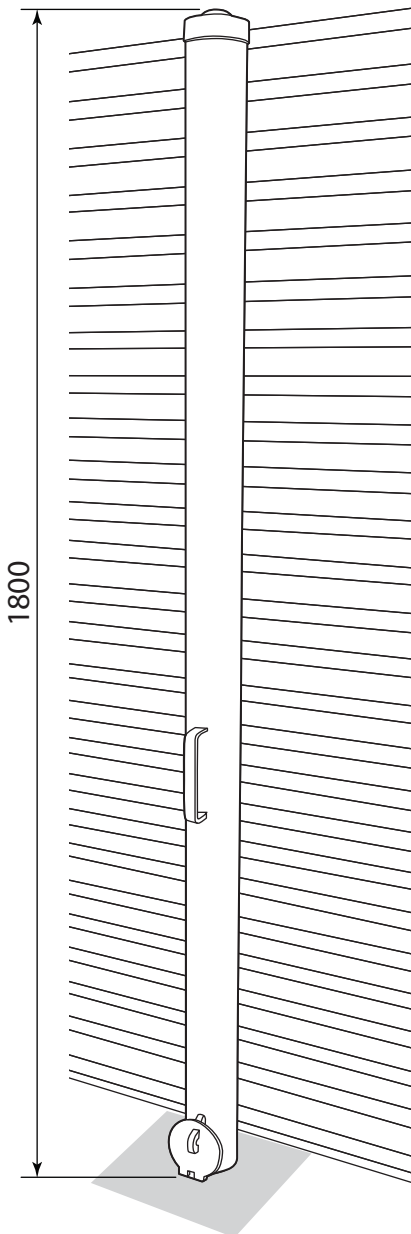


## Roller Door Protection



FLUSH WITH FLOOR  
NO PROTRUSION



LOCKABLE IF REQUIRED

### Price Excludes GST

**Important:** Ensure installation and maintenance are properly executed to obtain maximum performance, efficiency and durability from your Lighthouse product.

**Disclaimer:** While every care has been taken with the details on this specification sheet Lighthouse Bollards & Caps accepts no responsibility for any inaccuracies. Lighthouse Bollards & Caps also reserves the right to change these specifications without notice to always ensure that you are receiving a superior product.

## Roller Door Anchor

Provides extra roller door protection, for commercial and domestic roller doors. Fitted to the inside to avoid tampering. The floor anchor finishes flush with the top of concrete, no protrusion. Commercial quality engineered to withstand heavy traffic.

## Storm Barriers

Removable storm barriers prevent door blow out. The posts can be fitted either inside or outside. The external post can be secured by heavy duty padlock.

### SPECIFICATIONS

#### Size

80NB

#### Length

2.0M

#### Weight

17KG

#### In ground

Sleeve supplied

#### Options

Post holder for storage of idle sleeve

### Lighthouse Bollards & Caps

579 Warrigal Rd, Ashwood 3147

Mobile Phone: 0412 406 960

Fax: 61 3 9885 7768

Phone: 03 9885 8684

[www.lighthouse-bollards.com](http://www.lighthouse-bollards.com)

*Australian owned company*